

# **Modular System**

**Assembly Instructions**

**Conventional and reversible**

EDV-Nr. 298287 / 0 / gb / 02.11 / Rev. E

---



## Contents

<b>PRODUCT DESCRIPTION .....</b>	<b>3</b>
<b>YOUR SAFETY .....</b>	<b>4</b>
Important Notes .....	4
<b>PREPARATION .....</b>	<b>5</b>
Tools .....	5
Service box .....	6
Components of the Modular System .....	7
<b>ASSEMBLY.....</b>	<b>12</b>
Double cylinder halves .....	12
Table side A 30 – 40 mm / side B 30 – 40 mm (conventional systems standard; reversible key systems standard and double entry) ....	13
Table side A 30 – 40 mm / side B 30 – 40 mm (conventional, double entry) .....	14
Figure side A 30 – 40 mm / side B 30 – 40 mm (conventional systems standard; reversible key systems standard and double entry) ....	15
Table side A 30 – 40 mm / side B ab 45 mm (conventional systems standard; reversible key systems standard and double entry) ....	16
Table side A 30 – 40 mm / side B ab 45 mm (conventional, double entry) .....	17
Figure side A 30 mm / side B 45 – 70 mm (conventional systems standard; reversible key systems standard and double entry) ....	18
Figure side A 30 mm / side B 75 – 100 mm (conventional systems standard; reversible key systems standard and double entry) ....	19
Table L 45 – 45 mm to 130 – 130 mm (conventional systems standard; reversible key systems standard and double entry) ....	20
Table L 45 – 45 mm to 130 – 130 mm (conventional, double entry) .....	21
Half cylinder halves .....	22
Table L 30 – 130 mm (conventional and reversible) .....	22
Figure L 30 – 55 mm (conventional and reversible).....	23
Knob cylinder halves .....	24

**MAINTENANCE..... 26**

**STORAGE/MAINTENANCE ..... 26**

**DISPOSAL ..... 26**

**TECHNICAL DATA..... 27**

**WARRANTY..... 28**

**SPARE PARTS (FAX FORMS)..... 30**

## Product Description

The modular system offers a high amount of flexibility, enabling you to adapt all conventional and reversible key systems independently to the respective individual requirements.

Through the individual components which are always ready in your DOM installation kit you can immediately react to requests without any logistical efforts, thereby avoiding unnecessary waiting times.

The modular design provides an additional increase in the break-off values and length flexibility.

The modular system is ideal for application in master key systems or central lock systems.

## Your Safety

Always comply with the instructions and security statements!

In this assembly instructions, several sections are marked by graphical symbols.

Please memorise the graphical symbols and their meanings:



Caution! This symbol marks a danger note and/or refers to an action that may cause damage to the mechanical cylinder or other objects.



Note! This symbol refers to useful information on assembly or operation.

### Important Notes



Caution! Keep the mechanical cylinder and its components away from small children. They might swallow small parts.



Caution! Material damage caused through incorrect storage. If you store components for a longer period of time before assembly, store all components dry and dust-free in the original packaging.



Caution! Damage caused through inexperienced assembly. Please read these instructions completely and carefully before assembly. Follow the instructions step by step. The manufacturer accepts no liability for damage resulting from an inexperienced assembly.



Caution! Defects caused by untrained personnel! Only extensively trained personnel are allowed to assemble DOM cylinders. The manufacturer disclaims liability for any defects caused by untrained personnel.

## Preparation



Caution! Damage caused through inexperienced assembly. Please read these instructions completely and carefully before assembly. Follow the instructions step by step. The manufacturer accepts no liability for damage resulting from an inexperienced assembly.



Caution! Defects caused by untrained personnel! Only extensively trained personnel are allowed to assemble DOM cylinders. The manufacturer disclaims liability for any defects caused by untrained personnel.



Caution! Damage caused through inexperienced assembly. Always keep the torque for screws M 3x12 of 1,2 – 1,3 Nm!

## Tools



Warning! Defects caused by applying improper tools!  
The tool DOM Sicherheitstechnik provides for cylinder assembly is tuned to all requirements of professional assembly. The manufacturer disclaims liability for any damages or defective assembly caused by the application of other tools.

In order to install or uninstall a DOM cylinder of the modular system, you will only need a torx (size TX 10) and a hexagon screw driver (size hexagon 1.3 mm) which are included in the installation kit. Washers are not required for modular cylinders.








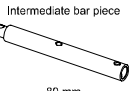






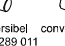
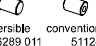
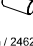
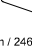
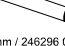

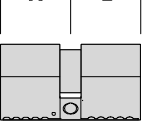
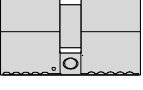


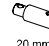
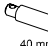
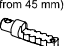







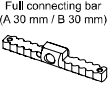
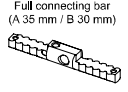
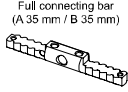
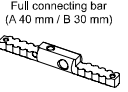
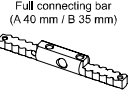
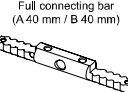
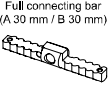
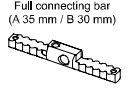
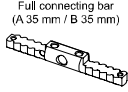
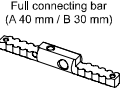
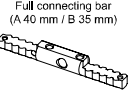
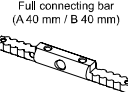







If you do not have an installation kit, you may order the corresponding screw drivers from DOM Sicherheitstechnik if required.

## Service box

DOM Sicherheitstechnik has compiled a service box for system modular that contains all necessary components (body extensions, core extensions, bar components). You may order this service box directly via DOM Sicherheitstechnik. Thus you are always well equipped with all necessary components.



Note! This service box also exists for system Diamant.

 Body extension 5 mm / 245638 001 Stck / pcs: 10	 Body extension 10 mm / 245639 001 Stck / pcs: 10	 Body extension 15 mm / 245640 001 Stck / pcs: 5	 Body extension 20 mm / 245641 001 Stck / pcs: 5	 Body extension 40 mm / 245642 001 Stck / pcs: 3	 Middle bar 10/10 / 501503 Stck / pcs: 5	 Intermediate bar piece 60 mm 501600 Stck / pcs: 1	 Intermediate bar piece 80 mm 501601 Stck / pcs: 1
 Core extension 5 mm / 245608 Stck / pcs: 10	 Core extension 10 mm / 247942 001 Stck / pcs: 10	 Core extension 15 mm / 247943 001 Stck / pcs: 5	 Core extension 20 mm / 247944 001 Stck / pcs: 5	 Core extension 40 mm / 247945 001 Stck / pcs: 3	 Middle-endbar (A 30 mm / B ab 45) BL 30/xx / 501496 E Stck / pcs: 3		
 Parallel pin 5 mm reversibel 246289 011 Stck / pcs: 15	 Parallel pin 10 mm reversible 246289 011 Stck / pcs: 15	 Parallel pin 15 mm / 246291 011 Stck / pcs: 5	 Parallel pin 20 mm / 246292 011 Stck / pcs: 5	 Parallel pin 40 mm / 246296 011 Stck / pcs: 5	 Middle-endbar (A 35 mm / B ab 45) BL 35/xx / 501497 E Stck / pcs: 3	 Mandrel for security ring 401910 Stck/pcs: 1	 Assembly tool for security ring 401911 Stck/pcs: 1
 Intermediate bar piece 10 mm 501505 Stck / pcs: 8	 Intermediate bar piece 15 mm 501506 Stck / pcs: 5	 Intermediate bar piece 20 mm 501507 Stck / pcs: 3	 Intermediate bar piece 40 mm 501508 Stck / pcs: 2	 Endbar (from 45 mm) 5 mm / 501510 E Stck / pcs: 5	 Middle-endbar (A 40 mm / B ab 45) BL 40/xx / 501498 E Stck / pcs: 3		
 Full connecting bar HLB BL 30 / 501620 Stck / pcs: 1	 Full connecting bar HLB BL 35 / 501621 Stck / pcs: 3	 Full connecting bar HLB BL 40 / 501622 Stck / pcs: 3	 Middle bar HLB 501614 Stck / pcs: 2	 Endbar (from 50 mm) 10 mm / 501511 E Stck / pcs: 5	 Core back HLB 204217 Stck / pcs: 5	Hexagon screwdriver size 1,3 mm 510752 Stck/pcs: 1	
 Full connecting bar (A 30 mm / B 30 mm) BL 30/30 501481 E Stck / pcs: 3	 Full connecting bar (A 35 mm / B 30 mm) BL 35/30 501483 E Stck / pcs: 3	 Full connecting bar (A 35 mm / B 35 mm) BL 35/35 501485 E Stck / pcs: 3	 Full connecting bar (A 40 mm / B 30 mm) BL 40/30 501484 E Stck / pcs: 3	 Full connecting bar (A 40 mm / B 35 mm) BL 40/35 501486 E Stck / pcs: 3	 Full connecting bar (A 40 mm / B 40 mm) BL 40/40 501487 E Stck / pcs: 3	Torx screwdriver size TX 10 290483 Stck/pcs: 1	
 Full connecting bar (A 30 mm / B 30 mm) BL 30/30 501481 E Stck / pcs: 3	 Full connecting bar (A 35 mm / B 30 mm) BL 35/30 501483 E Stck / pcs: 3	 Full connecting bar (A 35 mm / B 35 mm) BL 35/35 501485 E Stck / pcs: 3	 Full connecting bar (A 40 mm / B 30 mm) BL 40/30 501484 E Stck / pcs: 3	 Full connecting bar (A 40 mm / B 35 mm) BL 40/35 501486 E Stck / pcs: 3	 Full connecting bar (A 40 mm / B 40 mm) BL 40/40 501487 E Stck / pcs: 3	Torx MT 10 M3x12 245738 013 Stck / pcs: 30	Hexagonal screw M2,5x3 501540 013 Stck / pcs: 30
 Cam standard double entry reversible 248386 008 Stck / pcs: 5	 Cam double entry conventional 235855 008 Stck / pcs: 5	 Cam HLB 218426 008 Stck / pcs: 5	 Coupling standard 502154 Stck / pcs: 5	 Coupling double entry conventional 235860 (new design) Stck / pcs: 5	 Coupling double entry reversible 501006 Stck / pcs: 5	HM-Pin 2x3,6 / 226146 Stck / pcs: 20	Insert  501542 Stck / pcs: 5

EDV-Nr.: 298291 Rev. E

The box contains single compartments where you can sort in components. The following figure shows how the wrapped components are sorted in the service box ex works.



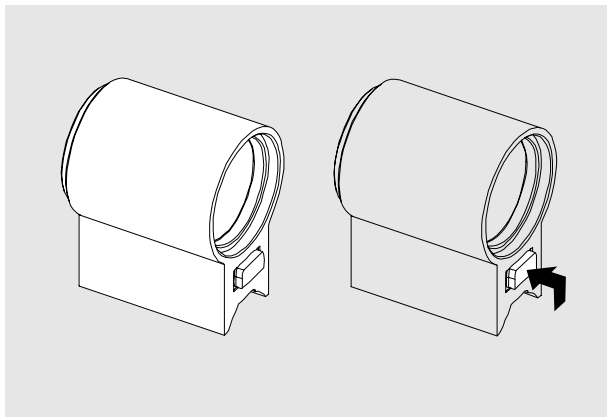
Note! A list of contents is part of the service box. You may make use of the sequence of components according to the list of contents to avoid confusion.



## Components of the Modular System

The modular system enables you to extend or shorten double cylinders, half cylinders and knob cylinders to any length.

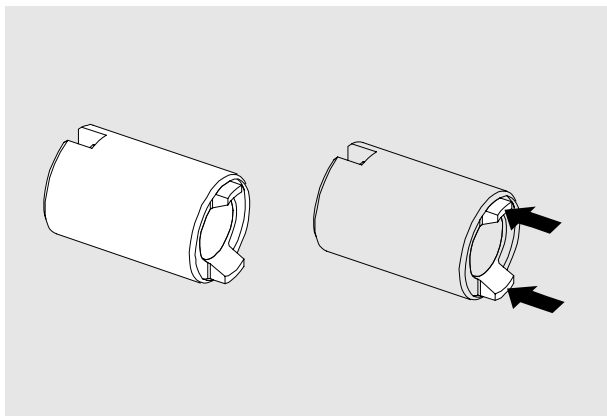
Dependent on the overall length, you need to use different components which we would like to introduce to you in the following overview:



### Body extension

The body extension must be attached in such a way that the detent points to the cylinder half.

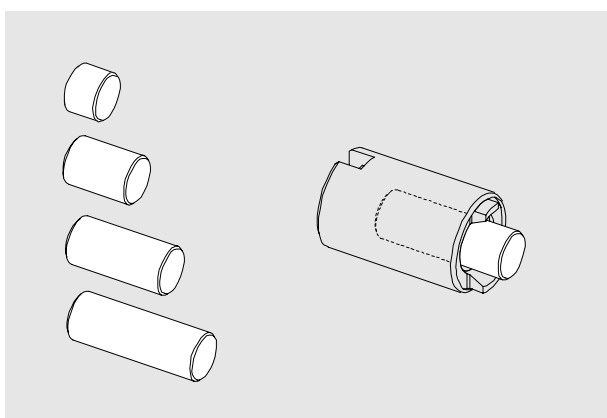
When installed, the body extension fits flat to the cylinder half or the next body extension respectively.



### Core extension

The detents always point to the cylinder half to be extended. The detents of the first core extension lock in place in the cylinder core. The detents of the following core extension lock in place in the previous core extension.

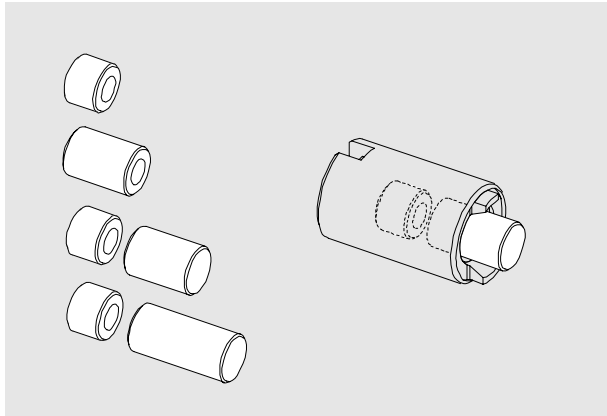
If several core extensions are used, the smallest one must be attached first. The largest core extension is applied last. It must point to the cam.



### Cylinder pin (conventional systems standard; reversible key systems standard, double entry and knob version)

If a cylinder is extended, one or several cylinder pins need to be used, dependent on the extension.

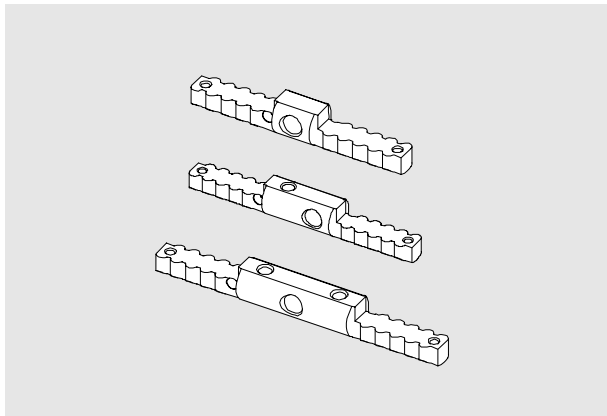
If several cylinder pins are used, the smallest one must be attached first. The largest cylinder pin is applied last. It must point to the cam.



**Cylinder pin (conventional, double entry and knob version)**

If a cylinder is extended, one or several cylinder pins need to be used, dependent on the extension.

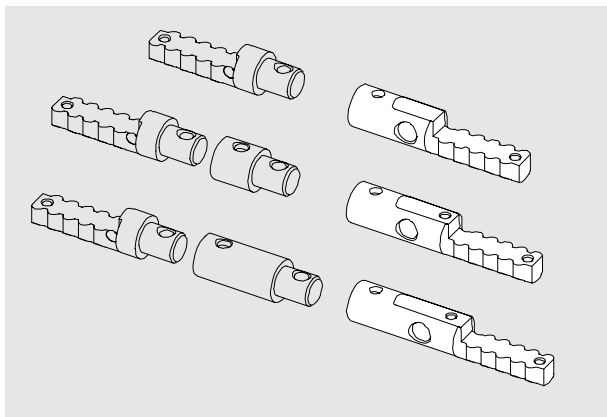
Used several cylinder pins, the cylinder pin with the drilling will always be inserted to the cam. The largest cylinder pin has to be inserted as the last.



**Full connecting bar**

Insert the full connecting bar when the length of both lock sides is 30 – 40 mm.

In this case you will not require any further bar components for extension.

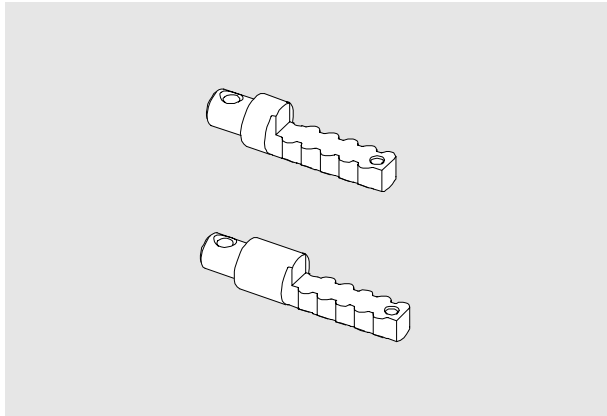


**Middle-endbar**

Insert the middle-endbar when the length of one lock side is between 30 and 40 mm and the length of the other lock side exceeds 40 mm.

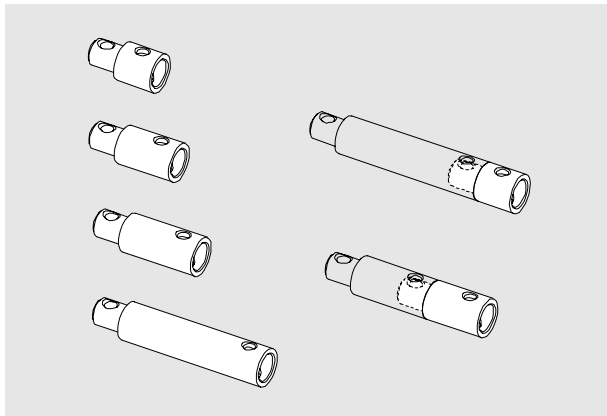
No further bar components are required for the shorter lock side in this case, since this middle bar functions at the same time as endbar.

Further bar components are required for the longer lock side.

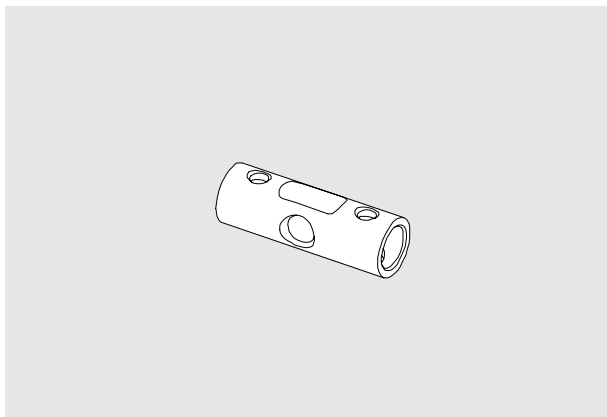
**Endbar**

Insert the endbar when one lock side has reached the length of 45 mm.

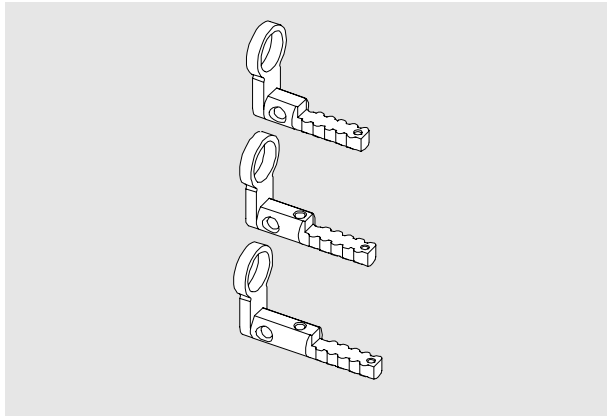
The endbar terminates the extension of the bar.

**Intermediate bar pieces**

Intermediate bar pieces are inserted from a length per lock side of 55 mm. If several intermediate bar pieces are used, the smallest one must first be connected to the endbar. The largest intermediate bar piece is applied last. It must point to the cam.

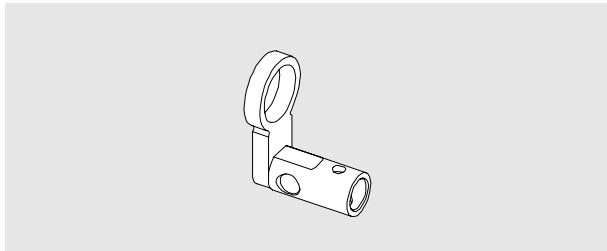
**Middle bar**

The middle bar connects both the lock sides when they are at least 45 mm in length each.



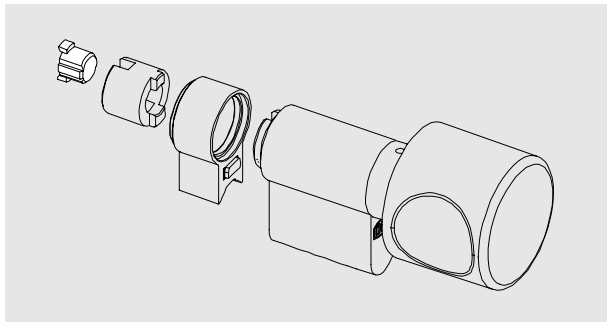
### Full connecting bar HLB

The full connecting bar HLB is used in half cylinders with an overall length of up to 40 mm.



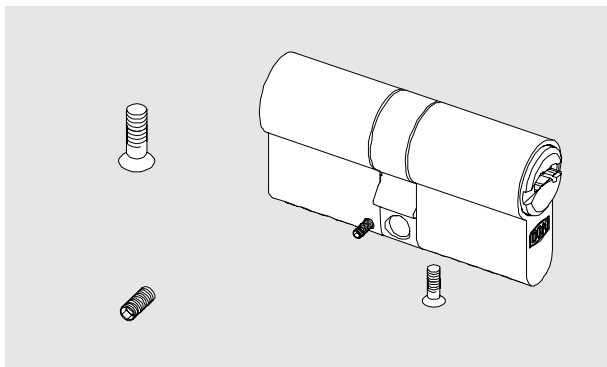
### Middle bar HLB

The middle bar HLB is inserted in half cylinders with an overall length from 45 mm.



### Insert

The insert is inserted as coupling extension when extending a knob cylinder. The insert is placed in the last core extension. It must point to the cam.



### Fastening Screws

**The torx screws (M3x12)** are screwed through the bar components into the cylinder body or the body extensions respectively.

For every bar extension you will need a further torx screw.

**The hexagonal headless screw** is screwed into the side of the cylinder and additionally secures the bar end.



## Assembly

Please follow the stated order and pay attention to the notes and figures.

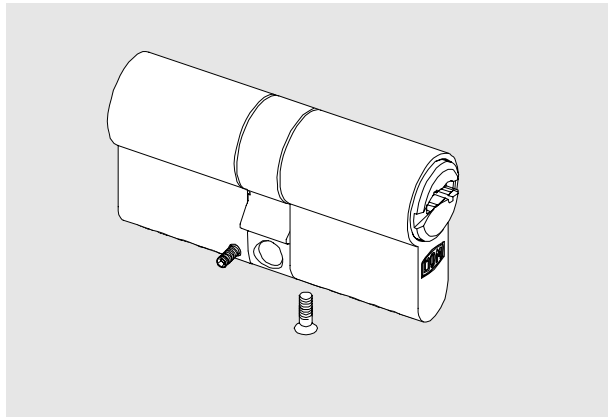


**Warning!** For assembly please use only the special tool that is described in the assembly steps. Manufacturer disclaims liability for any defects caused by application of inappropriate tools.



**Note!** All material numbers for common spare parts are specified together with the respective step of assembly.

### Double cylinder halves



If you want to convert an existing cylinder, first loosen both the hexagonal screws (size hexagonal 1.3 mm) a little, so that 1– 2 pitches of screw remain in the cylinder body.

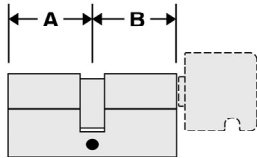
Now loosen the torx screws (size TX 10) of the bar and unscrew them completely.

Disassemble the individual components.



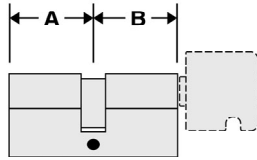
**Please note:** The following pages list the components for all cylinder lengths up to an overall length of 260 mm. In addition you will find exploded views showing the arrangement of the components. First arrange the components you need for your cylinder length according to the tables and graphics and then follow the subsequent installation instructions.

**Table side A 30 – 40 mm / side B 30 – 40 mm (conventional systems standard; reversible key systems standard and double entry)**



Length A / B	Description	Order-Nr	Quantity
<b>30 / 30</b>	Full connecting bar BL 30/30	501481 E	1
<b>35 / 30</b>	Body extension 5 mm	245638 001	1
	Core extension 5 mm	245608	1
	Parallel pin 5 mm	246289 011	1
	Full connecting bar 35/30	501483 E	1
<b>35 / 35</b>	Body extension 5 mm	245638 001	2
	Core extension 5 mm	245608	2
	Parallel pin 5 mm	246289 011	2
	Full connecting bar BL 35/35	501485 E	1
<b>40 / 30</b>	Body extension 10 mm	245639 001	1
	Core extension 10 mm	247942 001	1
	Parallel pin 10 mm	249759 011	1
	Full connecting bar BL 40/30	501484 E	1
<b>40 / 35</b>	Body extension 10 mm	245639 001	1
	Body extension 5 mm	245638 001	1
	Core extension 10 mm	247942 001	1
	Core extension 5 mm	245608	1
	Parallel pin 10 mm	249759 011	1
	Parallel pin 5 mm	246289 011	1
	Full connecting bar BL 40/35	501486 E	1
<b>40 / 40</b>	Body extension 10 mm	245639 001	2
	Core extension 10 mm	247942 001	2
	Parallel pin 10 mm	249759 011	2
	Full connecting bar 40/40	501487 E	1

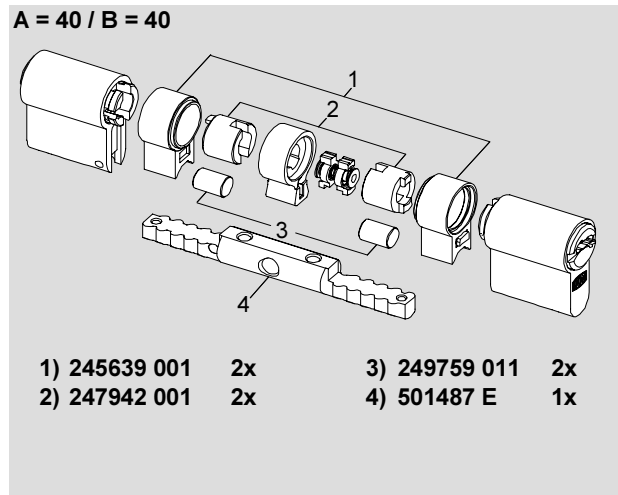
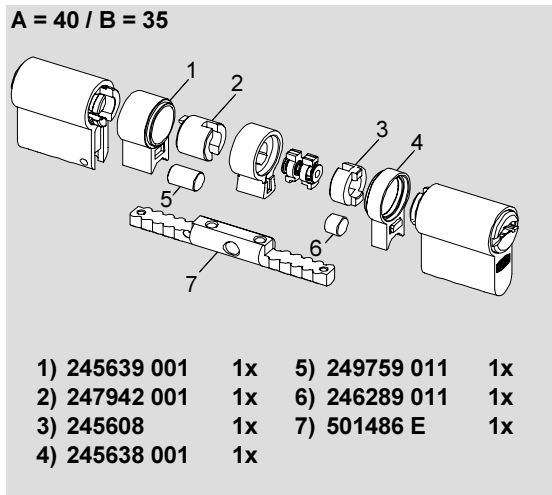
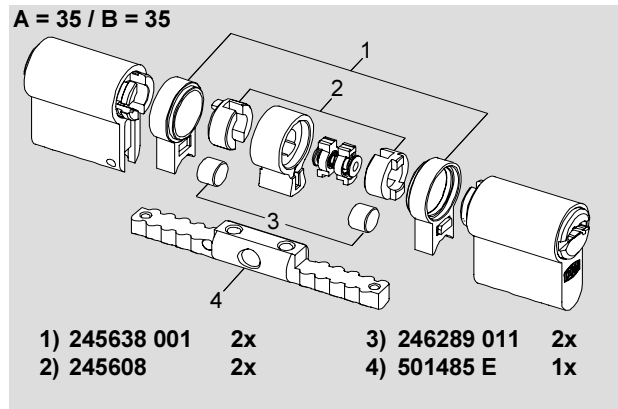
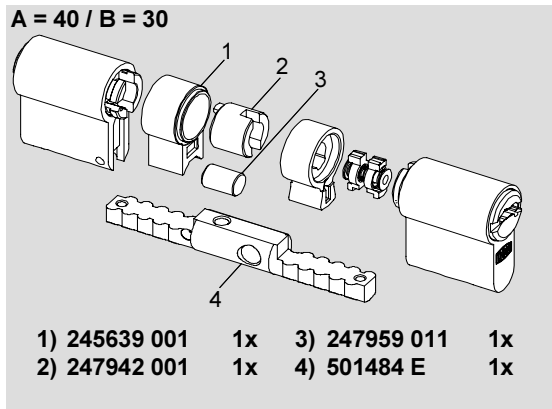
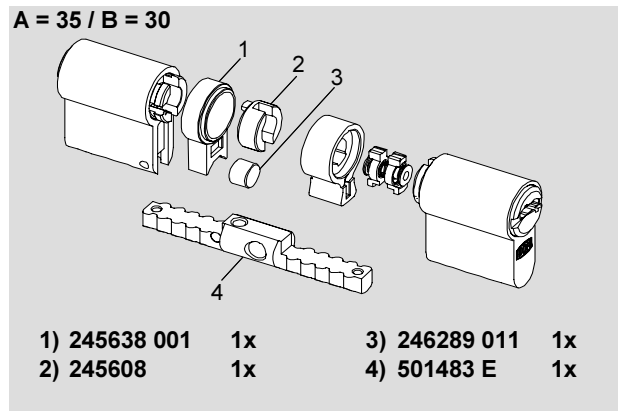
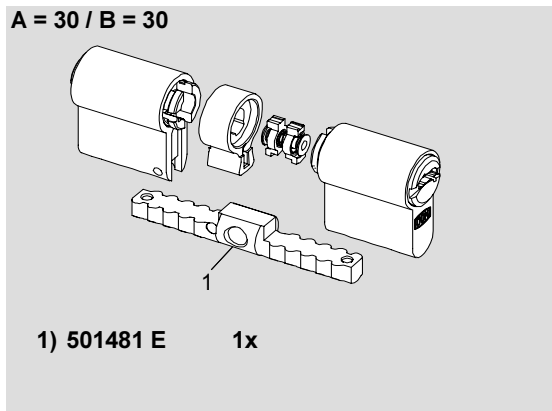
**Table side A 30 – 40 mm / side B 30 – 40 mm  
(conventional, double entry)**



<b>Length A / B</b>	<b>Description</b>	<b>Order-Nr</b>	<b>Quantity</b>
<b>30 / 30</b>	Full connecting bar BL 30/30	501481 E	1
<b>35 / 30</b>	Body extension 5 mm	245638 001	1
	Core extension 5 mm	245608	1
	Parallel pin 5 mm with drill hole 3 mm	511242	1
	Full connecting bar 35/30	501483 E	1
<b>35 / 35</b>	Body extension 5 mm	245638 001	2
	Core extension 5 mm	245608	2
	Parallel pin 5 mm with drill hole 3 mm	511242	2
	Full connecting bar BL 35/35	501485 E	1
<b>40 / 30</b>	Body extension 10 mm	245639 001	1
	Core extension 10 mm	247942 001	1
	Parallel pin 10 mm with drill hole 3 mm	511243	1
	Full connecting bar BL 40/30	501484 E	1
<b>40 / 35</b>	Body extension 10 mm	245639 001	1
	Body extension 5 mm	245638 001	1
	Core extension 10 mm	247942 001	1
	Core extension 5 mm	245608	1
	Parallel pin 10 mm with drill hole 3 mm	511243	1
	Parallel pin 5 mm with drill hole 3 mm	511242	1
	Full connecting bar BL 40/35	501486 E	1
<b>40 / 40</b>	Body extension 10 mm	245639 001	2
	Core extension 10 mm	247942 001	2
	Parallel pin 10 mm with drill hole 3 mm	511243	2
	Full connecting bar 40/40	501487 E	1



**Figure side A 30 – 40 mm / side B 30 – 40 mm (conventional systems standard; reversible key systems standard and double entry)**



**!** Attention! Please consider in the case of conventional locking systems with double entry coupling the necessarily assembly of the new cylinder pin (see page 8).

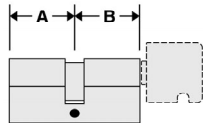
**Table side A 30 – 40 mm / side B ab 45 mm (conventional systems standard; reversible key systems standard and double entry)**

Length side A	030	035	040
<b>Quantity</b>			
Middle-endbar 30/X	1		
Middle-endbar 35/X		1	
Middle-endbar 40/X			1
<b>Body extension 05</b>		1	
Body extension 10			1
<b>Core extension 05</b>		1	
Core extension 10			1
<b>Parallel pin 05</b>		1	
Parallel pin 10			1

Example:

Side A = 35 mm: You need  
 1 Middle-endbar 35/X  
 1 Body extension á 5 mm  
 1 Core extension á 5 mm  
 1 Parallel pin á 5 mm

Side B = 55 mm: You need  
 1 Intermediate bar piece á 10 mm  
 1 Endbar á 5 mm  
 1 Body extension á 10 mm  
 1 Body extensionen á 15 mm  
 1 Core extension á 10 mm  
 1 Core extension á 15 mm  
 1 Parallel pin á 10 mm  
 1 Parallel pin á 15 mm



Length side B	045	050	055	060	065	070	075	080	085	090	095	100	105	110	115	120	125	130
<b>Quantity</b>																		
Intermediate bar piece 10			1								1				1	1		
Intermediate bar piece 15				1	1		2	2				1						
Intermediate bar piece 20						1												
Intermediate bar piece 40									1	1	1	1						
Intermediate bar piece 60													1	1	1	1		
Intermediate bar piece 80																	1	1
<b>Endbar 05</b>	1		1	1			1		1		1	1	1		1		1	
Endbar 10		1			1	1		1		1				1		1		1
<b>Body extension 05</b>																		
<b>Body extension 10</b>			1					1			1					1		
<b>Body extension 15</b>	1		1	2	1		3		1		1	2	1		3		1	
Body extension 20		1			1					1			1					1
Body extension 40						1		1	1	1	1	1	1	2	1	2	2	2
<b>Core extension 05</b>																		
<b>Core extension 10</b>			1					1			1					1		
<b>Core extension 15</b>	1		1	2	1		3		1		1	2	1		3		1	
Core extension 20		1			1					1			1					1
Core extension 40						1		1	1	1	1	1	1	2	1	2	2	2
<b>Parallel pin 005</b>																		
<b>Parallel pin 010</b>			1								1							
<b>Parallel pin 015</b>	1		1	2	1		3		1		1		1		1		1	
Parallel pin 020		1			1				2				1		1		1	
Parallel pin 040						1					1		1					
Parallel pin 050								1							1			
Parallel pin 060										1								1
Parallel pin 070												1						
Parallel pin 080														1				
Parallel pin 090																1		
Parallel pin 100																		1

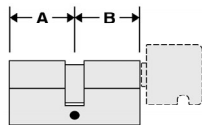
**Table side A 30 – 40 mm / side B ab 45 mm  
(conventional, double entry)**

Length side A	030	035	040
<b>Quantity</b>			
Middle-endbar 30/X	1		
<b>Middle-endbar 35/X</b>		1	
Middle-endbar 40/X			1
<b>Body extension 05</b>		1	
Body extension 10			1
<b>Core extension 05</b>		1	
Core extension 10			1
<b>Parallel pin 05 with drill hole 3 mm</b>		1	
Parallel pin 10 with drill hole 3 mm			1

Example:

**Side A = 35 mm: You need**  
 1 Middle-endbar 35/X  
 1 Body extension á 5 mm  
 1 Core extension á 5 mm  
 1 Parallel pin á 5 mm with drill hole 3 mm

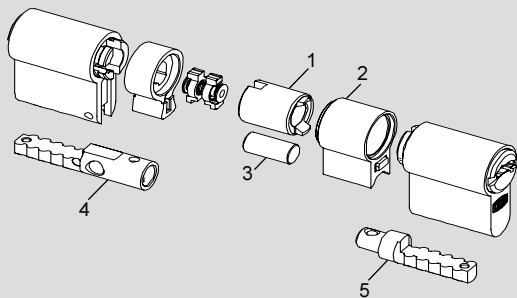
**Side B = 55 mm: You need**  
 1 Intermediate bar piece á 10 mm  
 1 Endbar á 5 mm  
 1 Body extension á 10 mm  
 1 Body extensionen á 15 mm  
 1 Core extension á 10 mm  
 1 Core extension á 15 mm  
 1 Parallel pin á 5 mm with drill hole 3 mm  
 1 Parallel pin á 20 mm



Baulänge Seite B	045	050	055	060	065	070	075	080	085	090	095	100	105	110	115	120	125	130
<b>Quantity</b>																		
Intermediate bar piece 10			1								1				1	1		
Intermediate bar piece 15				1	1		2	2				1						
Intermediate bar piece 20						1												
Intermediate bar piece 40									1	1	1	1						
Intermediate bar piece 60													1	1	1	1		
Intermediate bar piece 80																	1	1
<b>Endbar 05</b>	1		1	1			1	1	1	1	1	1	1	1	1	1	1	1
Endbar 10		1			1	1		1		1				1		1		1
Body extension 05																		
<b>Body extension 10</b>			1					1			1					1		
<b>Body extension 15</b>	1		1	2	1		3		1		1	2	1		3		1	
Body extension 20		1			1					1			1					1
Body extension 40						1		1	1	1	1	1	1	2	1	2	2	2
Core extension 05																		
<b>Core extension 10</b>			1					1			1					1		
<b>Core extension 15</b>	1		1	2	1		3		1		1	2	1		3		1	
Core extension 20		1			1					1			1					1
Core extension 40						1		1	1	1	1	1	1	2	1	2	2	2
<b>Parallel pin 005 with drill hole 3 mm</b>	1	1	1	1	1		1		1		1		1		1		1	
Parallel pin 010	1			1	1	1												
Parallel pin 010 with drill hole 3 mm						1		1		1		1		1		1		1
Parallel pin 015		1		1														
<b>Parallel pin 020</b>			1		1	1												
Parallel pin 040							1	1										
Parallel pin 050									1	1								
Parallel pin 060											1	1						
Parallel pin 070													1	1				
Parallel pin 080															1	1		
Parallel pin 090																	1	1
Parallel pin 100																		

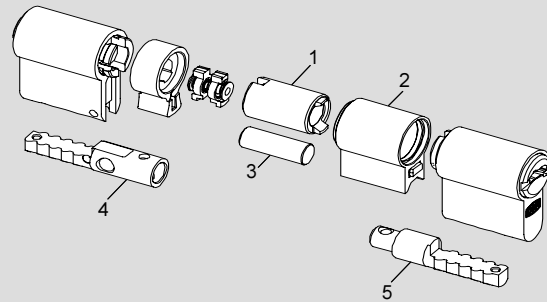
**Figure side A 30 mm / side B 45 – 70 mm (conventional systems standard; reversible key systems standard and double entry)**

**A = 30 / B = 45**



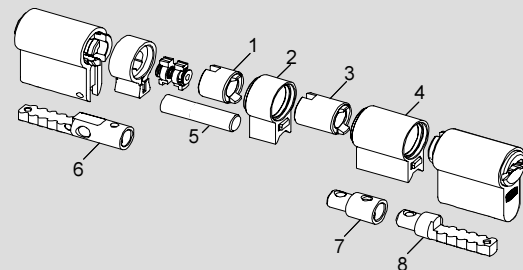
- |               |    |             |    |
|---------------|----|-------------|----|
| 1) 247943 001 | 1x | 4) 501496 E | 1x |
| 2) 245640 001 | 1x | 5) 501510   | 1x |
| 3) 246291 011 | 1x |             |    |

**A = 30 / B = 50**



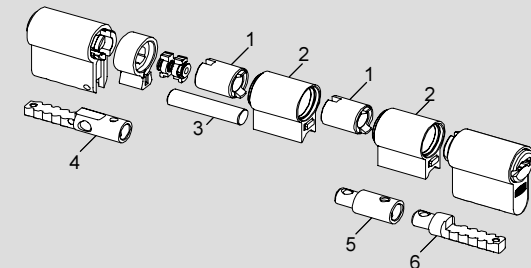
- |               |    |             |    |
|---------------|----|-------------|----|
| 1) 247944 001 | 1x | 4) 501496 E | 1x |
| 2) 245641 001 | 1x | 5) 501511   | 1x |
| 3) 246292 011 | 1x |             |    |

**A = 30 / B = 55**



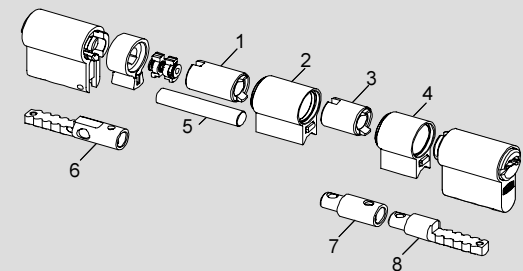
- |               |    |               |    |
|---------------|----|---------------|----|
| 1) 247942 001 | 1x | 5) 246293 011 | 1x |
| 2) 245639 001 | 1x | 6) 501496 E   | 1x |
| 3) 247943 001 | 1x | 7) 501505     | 1x |
| 4) 245640 001 | 1x | 8) 501510     | 1x |

**A = 30 / B = 60**



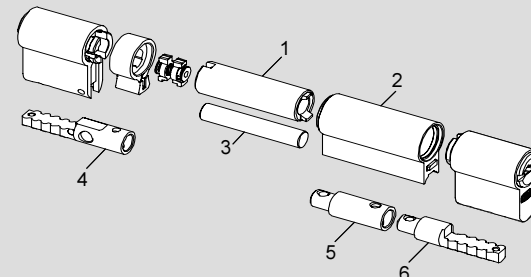
- |               |    |             |    |
|---------------|----|-------------|----|
| 1) 247943 001 | 2x | 4) 501496 E | 1x |
| 2) 245640 001 | 2x | 5) 501506   | 1x |
| 3) 246294 011 | 1x | 6) 501510   | 1x |

**A = 30 / B = 65**



- |               |    |               |    |
|---------------|----|---------------|----|
| 1) 247944 001 | 1x | 5) 246295 011 | 1x |
| 2) 245641 001 | 1x | 6) 501496 E   | 1x |
| 3) 247943 001 | 1x | 7) 501506     | 1x |
| 4) 245640 001 | 1x | 8) 501511     | 1x |

**A = 30 / B = 70**



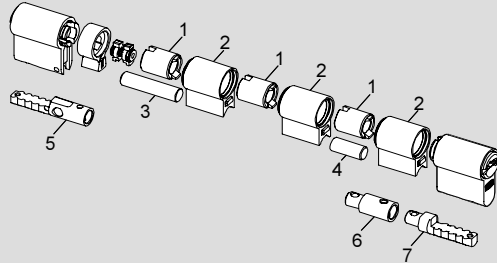
- |               |    |             |    |
|---------------|----|-------------|----|
| 1) 247945 001 | 1x | 4) 501496 E | 1x |
| 2) 245642 001 | 1x | 5) 501507   | 1x |
| 3) 246296 011 | 1x | 6) 501511   | 1x |



**Attention!** Please consider in the case of conventional locking systems with double entry coupling the necessarily assembly of the new cylinder pin (see page 8).

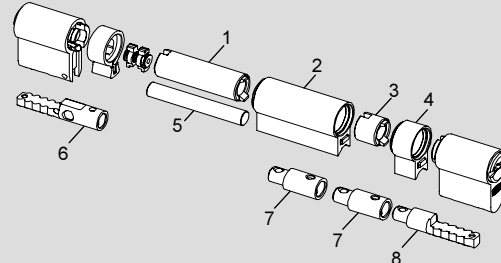
**Figure side A 30 mm / side B 75 – 100 mm (conventional systems standard; reversible key systems standard and double entry)**

**A = 30 / B = 75**



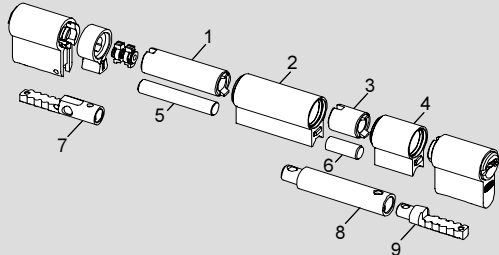
- |               |    |             |    |
|---------------|----|-------------|----|
| 1) 247943 001 | 3x | 5) 501496 E | 1x |
| 2) 245640 001 | 3x | 6) 501506   | 1x |
| 3) 246294 011 | 1x | 7) 501510   | 1x |
| 4) 246291 011 | 1x |             |    |

**A = 30 / B = 80**



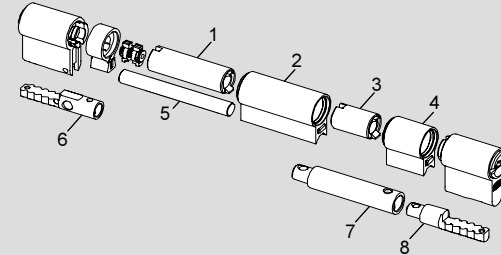
- |               |    |               |    |
|---------------|----|---------------|----|
| 1) 247945 001 | 1x | 5) 246297 011 | 1x |
| 2) 245642 001 | 1x | 6) 501496 E   | 1x |
| 3) 247942 001 | 1x | 7) 501506     | 2x |
| 4) 245639 001 | 1x | 8) 501511     | 1x |

**A = 30 / B = 85**



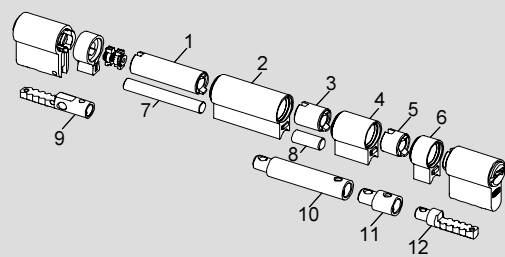
- |               |    |               |    |
|---------------|----|---------------|----|
| 1) 247945 001 | 1x | 6) 246291 011 | 1x |
| 2) 245642 001 | 1x | 7) 501496 E   | 1x |
| 3) 247943 001 | 1x | 8) 501508     | 1x |
| 4) 245640 001 | 1x | 9) 501510     | 1x |
| 5) 246296 011 | 1x |               |    |

**A = 30 / B = 90**



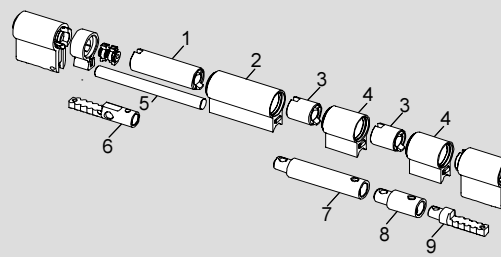
- |               |    |               |    |
|---------------|----|---------------|----|
| 1) 247945 001 | 1x | 5) 246298 011 | 1x |
| 2) 245642 001 | 1x | 6) 501496 E   | 1x |
| 3) 247944 001 | 1x | 7) 501508     | 1x |
| 4) 245641 001 | 1x | 8) 501511     | 1x |

**A = 30 / B = 95**



- |               |    |               |    |
|---------------|----|---------------|----|
| 1) 247945 001 | 1x | 7) 246297 011 | 1x |
| 2) 245642 001 | 1x | 8) 246291 011 | 1x |
| 3) 247943 001 | 1x | 9) 501496 E   | 1x |
| 4) 245640 001 | 1x | 10) 501508    | 1x |
| 5) 247942 001 | 1x | 11) 501505    | 1x |
| 6) 245639 001 | 1x | 12) 501510    | 1x |

**A = 30 / B = 100**



- |               |    |             |    |
|---------------|----|-------------|----|
| 1) 247945 001 | 1x | 6) 501496 E | 1x |
| 2) 245642 001 | 1x | 7) 501508   | 1x |
| 3) 247943 001 | 2x | 8) 501506   | 1x |
| 4) 245640 001 | 2x | 9) 501510   | 1x |
| 5) 246299 011 | 1x |             |    |

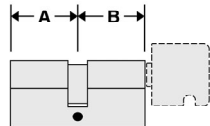


Attention! Please consider in the case of conventional locking systems with double entry coupling the necessarily assembly of the new cylinder pin (see page 8).

**Table L 45 – 45 mm to 130 – 130 mm (conventional systems standard; reversible key systems standard and double entry)**



Note! For every overall length a middle piece (EDP.-no.: 501503) is needed.

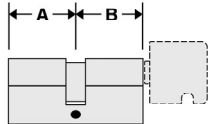


Baulänge Seite A oder B	045	050	055	060	065	070	075	080	085	090	095	100	105	110	115	120	125	130
<b>Quantity</b>																		
Intermediate bar piece 10			1								1				1	1		
Intermediate bar piece 15				1	1		2	2				1						
Intermediate bar piece 20						1												
Intermediate bar piece 40									1	1	1	1						
Intermediate bar piece 60													1	1	1	1		
Intermediate bar piece 80																	1	1
Endbar 05	1		1	1			1		1		1	1	1		1		1	
Endbar 10		1			1	1		1		1				1		1		1
Body extension 10			1					1			1					1		
Body extension 15	1		1	2	1		3		1		1	2	1		3		1	
Body extension 20		1			1					1			1					1
Body extension 40						1		1	1	1	1	1	1	2	1	2	2	2
Core extension 10			1					1			1					1		
Core extension 15	1		1	2	1		3		1		1	2	1		3		1	
Core extension 20		1			1					1			1					1
Core extension 40						1		1	1	1	1	1	1	2	1	2	2	2
Parallel pin 005																		
Parallel pin 010			1								1							
Parallel pin 015	1		1	2	1		3		1		1		1		1		1	
Parallel pin 020		1			1				2				1		1		1	
Parallel pin 040						1					1		1					
Parallel pin 050								1							1			
Parallel pin 060										1							1	
Parallel pin 070												1						
Parallel pin 080														1				
Parallel pin 090																1		
Parallel pin 100																		1

**Table L 45 – 45 mm to 130 – 130 mm  
(conventional, double entry)**



Note! For every overall length a middle piece (EDP.-no.: 501503) is needed.



Baulänge Seite A oder B	045	050	055	060	065	070	075	080	085	090	095	100	105	110	115	120	125	130
<b>Quantity</b>																		
Intermediate bar piece 10			1								1				1	1		
Intermediate bar piece 15				1	1		2	2				1						
Intermediate bar piece 20						1												
Intermediate bar piece 40									1	1	1	1						
Intermediate bar piece 60													1	1	1	1		
Intermediate bar piece 80																	1	1
Endbar 05	1		1	1			1		1		1	1	1		1		1	
Endbar 10		1			1	1		1		1				1		1		1
Body extension 10			1					1			1					1		
Body extension 15	1		1	2	1		3		1		1	2	1		3		1	
Body extension 20		1			1					1			1					1
Body extension 40						1		1	1	1	1	1	1	2	1	2	2	2
Core extension 10			1					1			1					1		
Core extension 15	1		1	2	1		3		1		1	2	1		3		1	
Core extension 20		1			1					1			1					1
Core extension 40						1		1	1	1	1	1	1	2	1	2	2	2
Parallel pin 005 with drill hole 3 mm	1	1	1	1	1		1		1		1		1		1		1	
Parallel pin 010	1			1	1	1												
Parallel pin 010 with drill hole 3 mm						1		1		1		1		1		1		1
Parallel pin 015		1		1														
Parallel pin 020			1		1	1												
Parallel pin 040							1	1										
Parallel pin 050									1	1								
Parallel pin 060											1	1						
Parallel pin 070													1	1				
Parallel pin 080															1	1		
Parallel pin 090																	1	1
Parallel pin 100																		

## Half cylinder halves

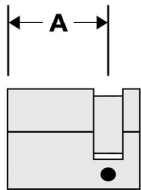
**Table L 30 – 130 mm (conventional and reversible)**

Length 30 - 40 mm	030	035	040
<b>Quantity</b>			
Full connecting bar HLB 30	1		
<b>Full connecting bar HLB 35</b>		1	
Full connecting bar HLB 40			1
<b>Body extension 05</b>		1	
Body extension 10			1
<b>Core extension 05</b>		1	
Core extension 10			1

Example:

Length = 35 mm: You need  
 1 Full connecting bar 35  
 1 Body extension á 5 mm  
 1 Core extension á 5 mm

Length = 55 mm: You need  
 1 Middle bar HLB  
 1 Intermediate bar piece á 10 mm  
 1 Endbar á 5 mm  
 1 Body extension á 10 mm  
 1 Body extensionen á 15 mm  
 1 Core extension á 10 mm  
 1 Core extension á 15 mm



Length 45 - 130 mm	045	050	055	060	065	070	075	080	085	090	095	100	105	110	115	120	125	130	
<b>Quantity</b>																			
<b>Middle bar HLB</b>	1	1	1	1	1	1	1	1	1	1	1	1	1	1	1	1	1	1	1
<b>Intermediate bar piece 10</b>			1								1				1	1			
Intermediate bar piece 15				1	1		2	2				1							
Intermediate bar piece 20						1													
Intermediate bar piece 40									1	1	1	1			1	1			
Intermediate bar piece 60													1	1					
Intermediate bar piece 80																	1	1	
<b>Endbar 05</b>	1		1	1			1		1		1	1	1		1		1		
Endbar 10		1			1	1		1		1					1		1		1
<b>Body extension 10</b>			1					1			1						1		
<b>Body extension 15</b>	1		1	2	1		3		1		1	2	1		3		1		
Body extension 20		1			1						1		1						1
Body extension 40						1		1	1	1	1	1	1	2	1	2	2	2	2
<b>Core extension 10</b>			1					1			1						1		
<b>Core extension 15</b>	1		1	2	1		3		1		1	2	1		3		1		
Core extension 20		1			1						1		1						1
Core extension 40						1		1	1	1	1	1	1	2	1	2	2	2	2



**Figure L 30 – 55 mm (conventional and reversible)**

**L = 30**

1) 204217	1x	3) 218426 008	1x
2) 501620	1x		

**L = 45**

1) 204217	1x	4) 247943 001	1x
2) 501614	1x	5) 245640 001	1x
3) 218426 008	1x	6) 501510	1x

**L = 35**

1) 204217	1x	4) 245608	1x
2) 501621	1x	5) 245639 001	1x
3) 218426 008	1x		

**L = 50**

1) 204217	1x	4) 247944 001	1x
2) 501614	1x	5) 245641 001	1x
3) 218426 008	1x	6) 501511	1x

**L = 40**

1) 204217	1x	4) 247942 001	1x
2) 501622	1x	5) 245639 001	1x
3) 218426 008	1x		

**L = 55**

1) 204217	1x	6) 247942 001	1x
2) 501614	1x	7) 245639 001	1x
3) 218426 008	1x	8) 501505	1x
4) 247943 001		9) 501510	
5) 245640 001			

## Knob cylinder halves

This chapter describes the assembly of the knob axis and knob.

With one exception the components of the modular system comply with the components of the double cylinder halves. On the knob side no straight pins are used. Therefore they are not described in detail here. After you installed the knob, go to the chapter on double knob cylinders and follow the sequence given there.

Requirements: 1 knob (K1-K5), 1 knob axis (501541), 1 spiral pin (099434), 1 circlip (219354 013), 1 coupling (501006 for reversible key systems) or. (235860 for standard systems, new design), 1 cam (248386 for reversible key systems) or. (235855 008 for standard systems).

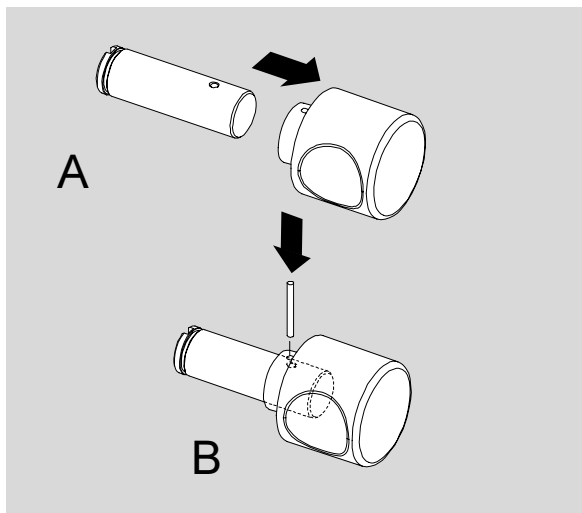


Fig.: Fixing of knob

1. Please spray knob axis gently with the service spray provided by DOM.
2. Please insert knob axis in such a way that the boring on the axis provides flush fit with the boring in the knob.
3. Please insert the spiral pin into the boring of the knob.
4. Please beat the spiral pin completely into the boring without producing any damages of the knob.

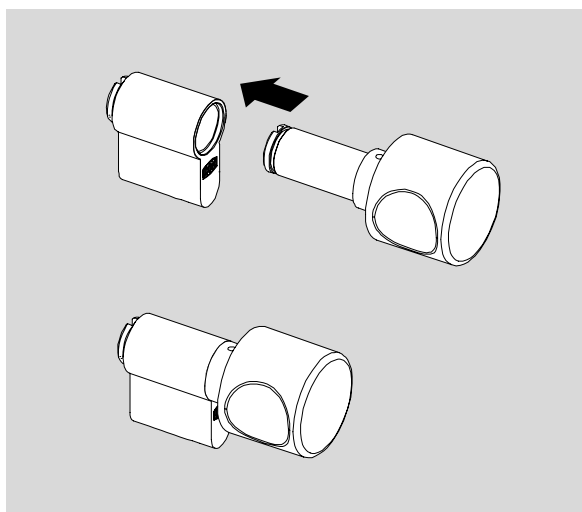
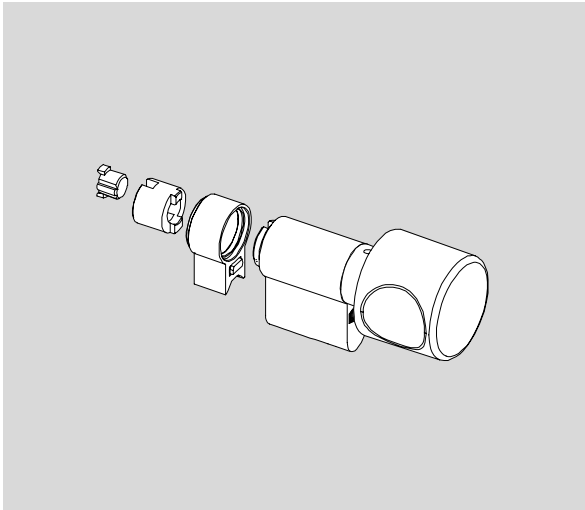


Fig.: Insert knob axis

5. Please insert the knob axis with knob into the cylinder body.
6. Please insert the circlip 219354 013 in the respective position.



7. If you extend the side of the knob, place the insert in the last core extension. It must point to the cam.

Fig.: Insert

## Maintenance

Please refresh lubrication of the lock cylinder periodically using DOM service-spray.

## Storage/Maintenance

If the DOM locking cylinders or several components are to be stored for a prolonged period of time before assembly or after use, store it dry and dust-free in the original packaging.



Warning! Material defect because of improper lubricants! Please periodically lubricate and maintain the lock cylinder using DOM service-spray exclusively.

## Disposal

Please note that DOM locking cylinders partially consists of high quality metallic components that have to be disposed of in a specific way. Always comply with all customary provisions for the protection of the environment when disposing of them.

You can also send the components of your DOM locking cylinder back to the manufacturer.

## Technical data

### **System Technology**

usable for all conventional and reversible key systems  
all bar components suitable for profile double and half cylinders  
24 bar components for all lengths  
modular body design  
form-locking connection through body and bar  
divisible chrome-nickel steel connecting bar for length modifications  
5 mm extension intervals  
no limitation to 130 mm overall extension  
One service box for standard and reversible key systems

### **Safety Features in Series**

ARS (tear-off protection)  
bolted connecting bar combination from chrome-nickel steel

### **Miscellaneous**

detailed assembly instructions  
easy installation with 2 screw drivers  
saves time and reduces cost  
many varieties possible  
usable immediately

## Warranty

The limitation period for the customer's rights is twelve months after the delivery of the delivery item to the customer. The statutory periods of limitation shall remain valid for claims for damages on the part of the customer for other reasons than defects of the delivery item as well as with regard to the customer's rights in the case of a fraudulent concealment of defects or wilfully caused defects. The limitation provisions of § 479 German Civil Code shall remain unaffected.

Should you have any questions that are not answered by the information contained in these assembly instructions, please contact one of the branch offices in your country directly.

**Published by**

DOM Sicherheitstechnik GmbH & Co. KG, 50301 Brühl

This documentation may not be reproduced, stored, transmitted or translated in any form or via any medium, in whole or in part, without the prior permission in writing of DOM Sicherheitstechnik GmbH & Co. KG.

**Important information**

This documentation is updated at regular intervals. The publisher will always be grateful for the communication of possible errors or suggestions for this documentation.

© DOM Sicherheitstechnik GmbH & Co. KG, 50301 Brühl

## Spare parts (fax forms)

Spare part lists provide you with all common spare parts for the different cylinder lengths. Please use the fax forms to guarantee fast processing of your order.

Thank you

### **Your order!**

Please make a copy of the blank fax forms for re-using it if required.



Dom Sicherheitstechnik  
 Fax-No.: (0049)22 32 / 70 44 19  
 D-50301 Brühl

Your delivery address

Your invoice address

Description	Quantity ordered	Unit	Order-Nr.
<b>Body extension</b>			
05 mm		5	245638 001
10 mm		5	245639 001
15 mm		5	245640 001
20 mm		5	245641 001
40 mm		5	245642 001
<b>Core extension</b>			
05 mm		5	245608
10 mm		5	247942 001
15 mm		5	247943 001
20 mm		5	247944 001
40 mm		5	247945 001
<b>Full connecting bar</b>			
30 / 30		5	501481 E
35 / 30		5	501483 E
35 / 35		5	501485 E
40 / 30		5	501484 E
40 / 35		5	501486 E
40 / 40		5	501487 E
<b>Middle-endbar</b>			
30 / xx		5	501496 E
35 / xx		5	501497 E
40 / xx		5	501498 E
<b>Endbar</b>			
05		5	501510
10		5	501511
<b>Intermediate bar piece</b>			
10 mm		5	501505
15 mm		5	501506
20 mm		5	501507
40 mm		5	501508
60 mm		5	501600
80 mm		5	501601
<b>Middlebar</b>		5	501503

Date

Signature

Dom Sicherheitstechnik  
 Fax-No.: (0049)22 32 / 70 44 19  
 D-50301 Brühl

Your delivery address

Your invoice address

Description	Quantity ordered	Unit	Order-Nr.
<b>Full connecting bar HLB</b>			
30		5	501620
35		5	501621
40		5	501622
<b>Middlebar HLB</b>		5	501614
<b>Core back HLB</b>		5	204217
<b>Parallel pin</b>			
05 mm		15	246289 011
05 mm with drill hole		15	511242
10 mm		15	249759 011
10 mm with drill hole		15	511243
15 mm		5	246291 011
20 mm		5	246292 011
25 mm		5	246293 011
30 mm		5	246294 011
35 mm		5	246295 011
40 mm		5	246296 011
50 mm		2	246297 011
60 mm		2	246298 011
70 mm		2	246299 011
80 mm		2	246300 011
90 mm		2	246301 011
100 mm		2	246302 011
<b>Insert (coupling extension)</b>		20	501542
<b>Knob axis</b>		5	501541
<b>Security ring SW 12x1,0 (Knob)</b>		100	219354 013
<b>Cam standard/double entry reversible</b>		20	248386 008
<b>Cam double entry conventional</b>		20	235855 008
<b>Cam HLB</b>		5	218426 008
<b>Coupling standard</b>		20	502154
<b>Coupling double entry conventional (new design)</b>		20	235860
<b>Coupling double entry reversible</b>		20	501006
<b>Core back HLB</b>		5	204217
<b>Torx screw MT 10 M3x12</b>		100	245738 013
<b>Hexagonal headless screw M2,5x3</b>		100	501540 013
<b>HM-Pin 2x3,6</b>		100	226146
<b>Hexagon screwdriver</b>		1	510752
<b>Torx screwdriver</b>		1	290493
<b>Mandrel for security ring</b>		1	401910
<b>Assembly tool for security ring</b>		1	401911
<b>Assembly stand</b>		1	400351

Date

Signature